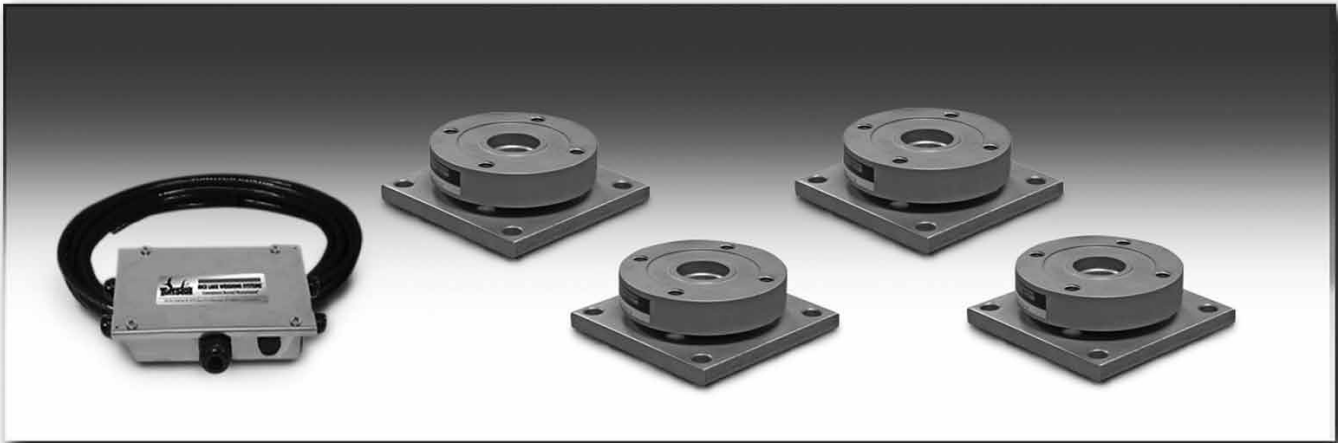


RL9000TWM Series Tank, Hopper & Vessel Weighing Assembly



Picture is a representation of actual product

The RL9000TWM Series stainless steel weigh module is ideal for use in tank, hopper, vessel, and many other applications. The low-profile design offers an economical solution in a competitive marketplace. This rugged, high-precision mount is designed for easy installation and does not require check rods or other stabilizing hardware. The stainless steel construction and welded seal offer additional protection in washdown areas.

Assembly with integral RL9000TWM compression disk load cell. See next page for load cell specifications.



LOAD CELL SPECIFICATIONS

Full Scale Output:

3 mV/V +/- .1%

Bridge Resistance:

350 ohms

Material/Finish:

Stainless steel*

Safe Overload:

150% F.S.

Rated Excitation:

10V DC

Operating Temperature:

0° to 150° F

Insulation Resistance:

5000 megohms

Seal Type:

Welded seal IP 67

Cable Length:

25'

Cable Color Code:

Green+ Excitation

Black.....- Excitation

White+ Signal

Red- Signal

Warranty:

Two-year limited

STANDARD FEATURES

- Capacities: 1000-450,000 lb
- Very low profile design
- 3 mV/V output
- Self-centering
- Self-checking assembly
- Offers 100% sideload, 100% uplift and 150% safe load and 300% ultimate overload protection
- Stainless steel construction
- Welded seal
- Weighs accurately with as much as a 3° non-parallel load
- Integral 25' cable

APPLICATIONS

- Tank, hopper, or vessel weighing

OPTIONAL FEATURES

- Stainless steel top plates

*150K-450k have mild steel painted base plate

COMPLETE KIT INCLUDES

- 1 JB4SS NEMA 4X stainless steel signal trim junction box
- 3 or 4 stainless steel mounting assemblies
- 25' of our Hostile Environment EL147HE SURVIVOR® load cell cable

LOAD CELL CERTIFICATIONS



RL9000TWM Series Tank, Hopper & Vessel Weighing Assembly

ORDER INFORMATION

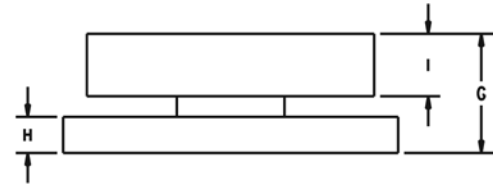
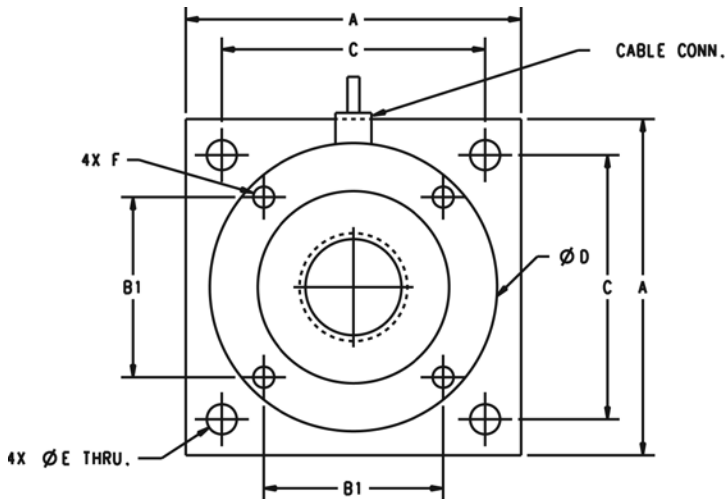
LOAD RATING (PER MODULE)	PART #	PRICE
Single Module		
1000 lb	84353	Consult
2500 lb	84354	Consult
5000 lb	84355	Consult
10,000 lb	84356	Consult
15,000 lb	84357	Consult
20,000 lb	84358	Consult
25,000 lb	84359	Consult
35,000 lb	84360	Consult
50,000 lb	84361	Consult
60,000 lb	84362	Consult
75,000 lb	84363	Consult
100,000 lb	84364	Consult
150,000 lb	84365	Consult
200,000 lb	84366	Consult
250,000 lb	84368	Consult
300,000 lb	84369	Consult
400,000 lb	84370	Consult
450,000 lb	84371	Consult
3-Module Kit		
1000 lb	98974	Consult
2500 lb	98980	Consult
5000 lb	98981	Consult
10,000 lb	98982	Consult
15,000 lb	98983	Consult
20,000 lb	98984	Consult
25,000 lb	98985	Consult
35,000 lb	98986	Consult
50,000 lb	98987	Consult
60,000 lb	98988	Consult
75,000 lb	98989	Consult
100,000 lb	98990	Consult
150,000 lb	98991	Consult
200,000 lb	98992	Consult
250,000 lb	98993	Consult
300,000 lb	98994	Consult
400,000 lb	98995	Consult
450,000 lb	98996	Consult

*150 k-450 k have mild steel painted base plates

LOAD RATING (PER MODULE)	PART #	PRICE
4-Module Kit		
1000 lb	98997	Consult
2500 lb	98998	Consult
5000 lb	98999	Consult
10,000 lb	99000	Consult
15,000 lb	99001	Consult
20,000 lb	99002	Consult
25,000 lb	99003	Consult
35,000 lb	99004	Consult
50,000 lb	99005	Consult
60,000 lb	99006	Consult
75,000 lb	99007	Consult
100,000 lb	99008	Consult
150,000 lb	99009	Consult
200,000 lb	99010	Consult
250,000 lb	99011	Consult
300,000 lb	99012	Consult
400,000 lb	99013	Consult
450,000 lb	99014	Consult
Top Plates (Stainless Steel) with bolts		
1 k-15 k	91207	Consult
20 k-50 k	91210	Consult
60 k-100 k	91211	Consult
150 k-200 k	91213	Consult
250 k-450 k	91215	Consult
Top Plates (Mild Steel) with bolts		
1 k-15 k	124758	Consult
20 k-50 k	125141	Consult
60 k-100 k	124759	Consult
150 k-200 k	124760	Consult
250 k-450 k	124761	Consult

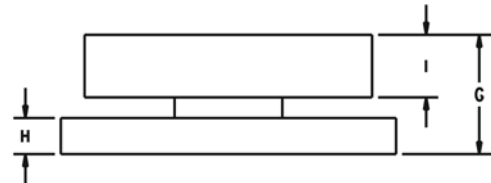
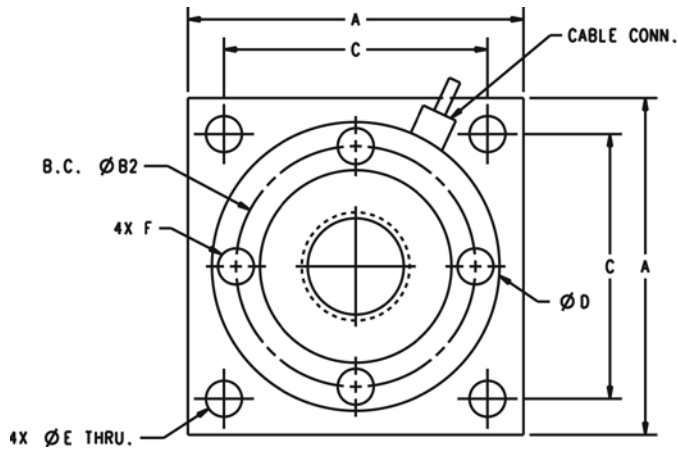
*150 k-450 k have mild steel painted base plates

RL9000TWM Series Tank, Hopper & Vessel Weighing Assembly



DIMENSIONS (INCHES)

RATED CAPACITY	A	B1	C	D	E	F	G	H	I	CONDUIT ADAPTER
1k-10k	4.0	2.0	3.25	3.5	0.4	3/8-16	1.35	.375	.75	N/A
15k	4.0	2.0	3.25	3.5	0.4	3/8-16	1.60	.625	.75	N/A
20k-50k	7.0	3.75	5.50	6.0	.63	1/2-13	2.48	.75	1.3	1/2-14 NPT
60k-100k	8.0	4.25	6.50	7.0	.81	3/4-16	2.50	1.0	1.3	1/2-14 NPT

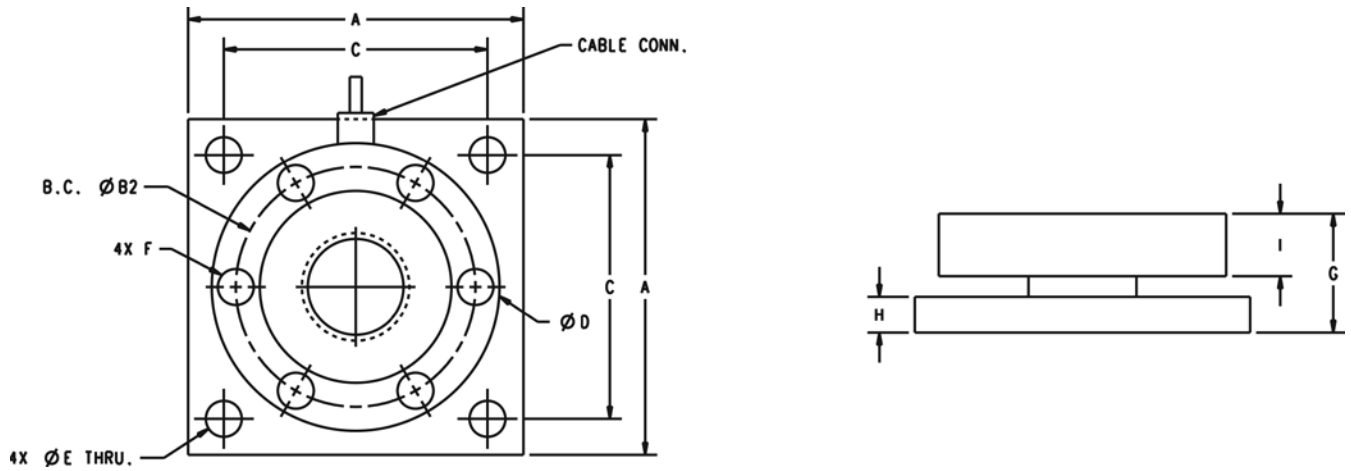


DIMENSIONS (INCHES)

RATED CAPACITY	A	B2	C	D	E	F	G	H	I	CONDUIT ADAPTER
150k-200k	10.0	7.825	8.0	9.0	1.1	1-14	4.75	2.0	1.7	1/2-14 NPT

WEIGH MODULES

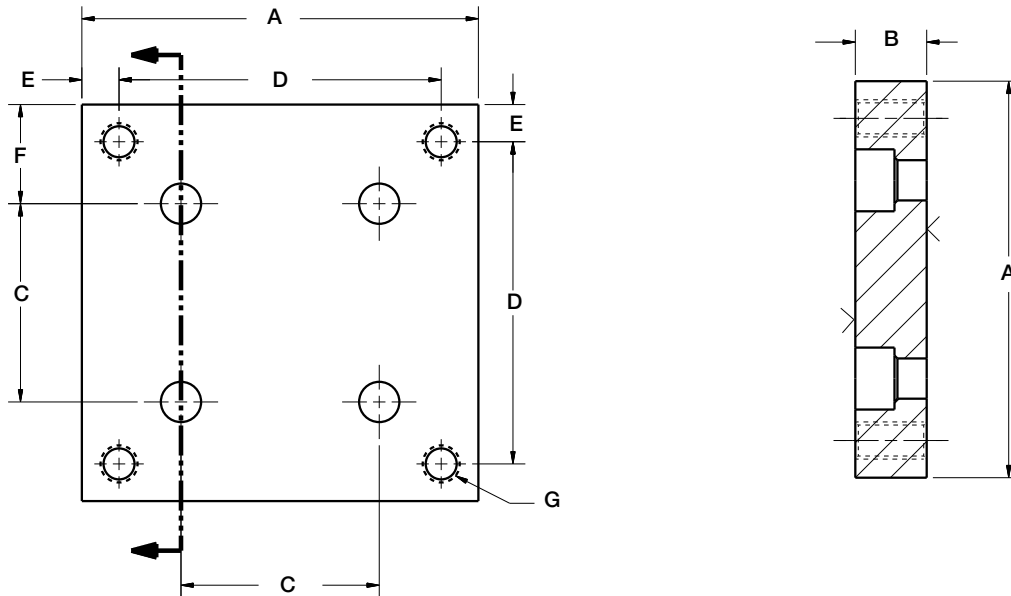
RL900TWM Series Tank, Hopper & Vessel Weighing Assembly



DIMENSIONS (INCHES)

RATED CAPACITY	A	B2	C	D	E	F	G	H	I	CONDUIT ADAPTER
250k-450k	11.0	7.75	9.0	9.0	1.3	7/8-14	6.42	3.0	2.25	1/2-14NPT

Optional Top Plates



DIMENSIONS

RATED CAPACITY	A	B	C	D	E	F	G
lb/inches							
1k - 15k	4.00	.72	2.00	3.25	.38	1.00	3/8-16 NC
20k - 50k	7.00	.97	3.75	5.50	.75	1.62	5/8-11 NC
60k - 100k	8.00	1.46	4.25	6.50	.75	1.88	3/4-16 NF
150k - 200k	10.00	1.94	5.53	8.00	1.00	2.25	1-14 UNS
250k - 450k	11.00	2.94	7.75 B.C.	9.00	1.00	1.00	1-1/4-12 NF

WEIGH MODULES