

## RLBTM Mild/Stainless Steel Weigh Modules



*Does not include load cell.*

*Picture is a representation of actual product*

The RLBTM mount was specifically created to take advantage of the improved load introduction accuracy of the ball and cup design. This multi-purpose mount is ideal for both indoor and outdoor applications, and can be used with a variety of single-ended beam load cells. Available in both mild and stainless steel. This product offers superior accuracy at an affordable price. These assemblies are also quick and easy to install, making the RLBTM the perfect choice for your low-capacity, multi-purpose weighing needs.

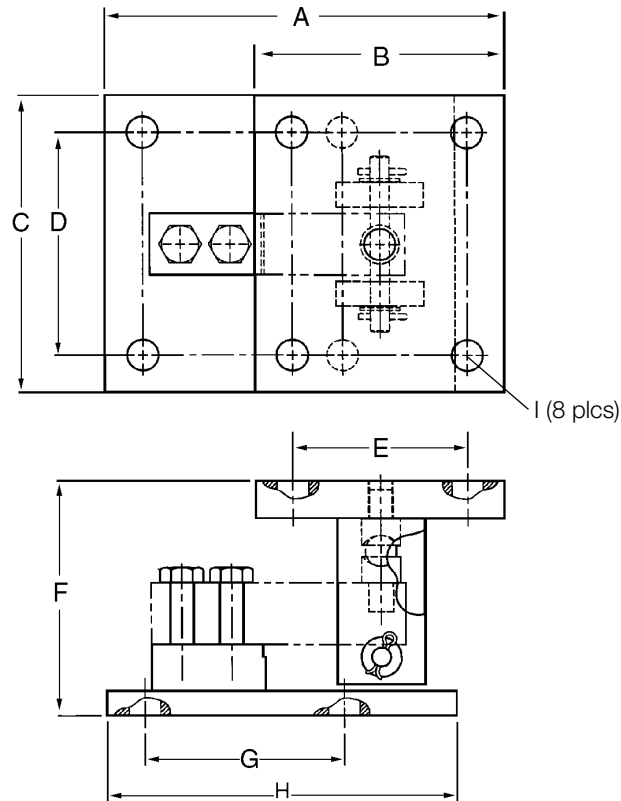
### STANDARD FEATURES

- Capacities (per module): 500-5,000 lb SE mild steel/1,000-4,000 lb stainless steel
- Zinc plated mild steel construction or stainless steel
- Self-checking, multi-directional movement
- Design incorporates a ball and cup for self centering
- The RLBTM will accommodate a standard shear beam 500 lb-5,000 lb SE load cell that has a threaded load hole. RL30000 (see page 119), RL39123 (see page 122), RL35023 (see page 125), RL35082 (see page 128), RL35083 (see page 127).

### APPLICATIONS

- Light to medium-capacity tanks and hoppers
- Conveyors

**RLBTM Mild/Stainless** Steel Weigh Modules



**DIMENSIONS**

RATED CAPACITY	A	B	C	D	E	F	G	H	I
<b>lb/inches</b>									
250-5000 SE	8.00	5.00	6.00	4.50	3.50	4.75	4.00	7.00	.63
<b>kg/mm</b>									
113.4/2268.0	203.2	127	152.4	114.3	88.9	120.6	101.6	177.8	16.0

**MILD STEEL  
ORDER INFORMATION**

*LOAD RATING (LOAD CELL CAPACITY)	PART #	PRICE
<b>Single Module (Does NOT Include Load Cell)</b>		
500 lb-5,000 lb SE (113.4-2268.0 kg)	53059	Consult

SE refers to small envelope

\* Load Rating is per module

**STAINLESS STEEL  
ORDER INFORMATION**

*LOAD RATING (LOAD CELL CAPACITY)	PART #	PRICE
<b>Single Module (Does NOT Include Load Cell)</b>		
1,000-4,000 lb (453.6-1814.4 kg)	53066	Consult

WEIGH MODULES