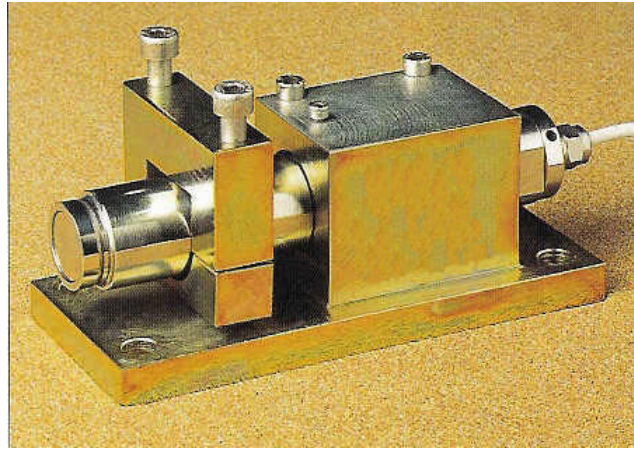


# DOUBLE CANTILEVER WEIGH MODULE



**Industrial Weighing Systems** provides sales and service to the **CT** (cylindrical transducer) series of weigh modules. The mounting hardware (**bracket, yoke + anti lift guard**) is the same for all support points allowing for quick and simple installation.

## Features Include:

- Double cantilever design, the output will not change as the yoke is moved along the barrel, canceling errors associated with thermal growth or movement due to agitation.
- Anti lift guard locks the vessel to the cell eliminating the need for additional vessel restraints that often degrade system performance.
- The cell can be easily rotated in the bracket and clamped level to measure 100% of the vertical force.
- Side load makes contact at 90 degrees to the cell and will not affect signal output up to 100% capacity.
- The CT series are high accuracy no maintenance weigh modules for process weighing or web tension control.

|                        |                   |                                   |                    |
|------------------------|-------------------|-----------------------------------|--------------------|
| Capacity               | 100 – 20,000 Kgs  | Creep at F.S. (20 min)            | +/- 0.02% F.S.     |
| Signal output          | 2.0 MV/V +/- 0.1% | Zero temperature coeff.           | +/- 0.0003% F.S./C |
| Input Resistance       | 350 +/- 20 Ohms   | Span temperature coeff.           | +/- 0.0003% F.S./C |
| Output Resistance      | 350 +/- 5 Ohms    | Compensated temp range            | -10 to +50C        |
| Insulation             | > 5000 M-Ohms     | Operating temp range              | -40 to +70C        |
| Excitation             | 18 VDC/AC Max     | Material: Load cell               | Stainless Steel    |
| Safe Overload          | 150% F.S.         |                                   | 100 – 2000 Kgs     |
| Ultimate Overload      | > 300% F.S.       |                                   | Zinc Chromate      |
| Protection to          | IP-67             |                                   | 5000 – 20000 Kgs   |
| Deflection at capacity | 0.3 MM            | Material: Hardware                | Zinc chromate      |
| Repeatability          | +/- 0.01% F.S.    |                                   | 100 – 20000 Kgs    |
| Combined Error         | +/- 0.03% F.S.    |                                   |                    |
|                        |                   | Optional Stainless Steel hardware | 100-2000 Kgs       |



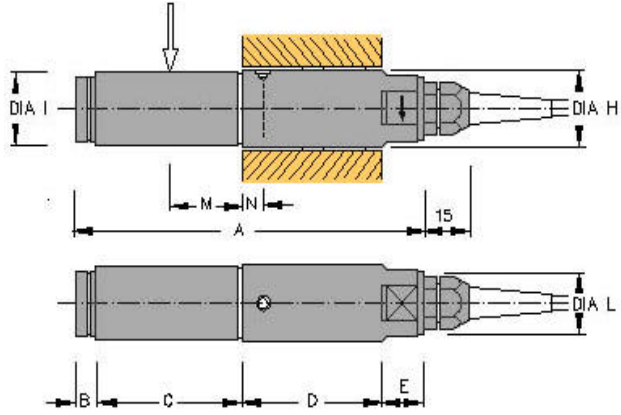
## Industrial Weighing Systems

9 Richmond St. Picton, ON Canada K0K 2T0

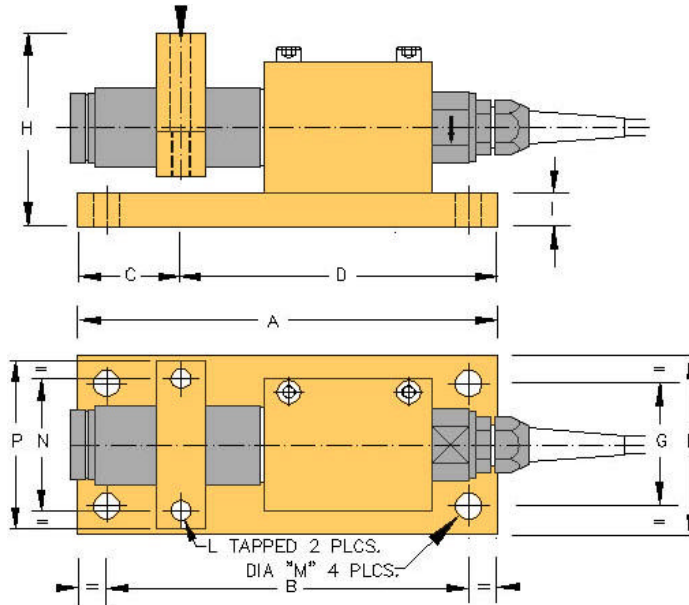
Ph: 613-786-0016 Cell/Local: 613-921-0397 Fax: 613-476-5293

E-mail [info@iwsystems.ca](mailto:info@iwsystems.ca) Website: [www.iwsystems.ca](http://www.iwsystems.ca)

# CT SERIES DIMENSIONAL SPECIFICATIONS



| Load Cell Model | Capacity Kgs | A MM | B MM | C MM | D MM | E MM | H DIA-MM | I DIA-MM | L MM | M MM | N MM | Weight Kgs |
|-----------------|--------------|------|------|------|------|------|----------|----------|------|------|------|------------|
| CTP- 100        | 100          | 173  | 10   | 71   | 70   | 22   | 34       | 33       | 30   | 35   | 10   | 0.8        |
| CTP- 200        | 200          | 173  | 10   | 71   | 70   | 22   | 34       | 33       | 30   | 35   | 10   | 0.8        |
| CTP- 500        | 500          | 173  | 10   | 71   | 70   | 22   | 34       | 33       | 30   | 35   | 10   | 0.8        |
| CTM- 1000       | 1000         | 217  | 13   | 102  | 75   | 27   | 51       | 50       | 46   | 55   | 12   | 2.8        |
| CTM- 2000       | 2000         | 217  | 13   | 102  | 75   | 27   | 51       | 50       | 46   | 55   | 12   | 2.8        |
| CTM- 5000       | 5000         | 295  | 12   | 146  | 110  | 27   | 77       | 75       | 60   | 65   | 14   | 9.2        |
| CTX- 10000      | 10,000       | 319  | 15   | 157  | 120  | 27   | 92       | 90       | 70   | 65   | 17   | 15.0       |
| CTX- 20000      | 20,000       | 350  | 15   | 178  | 130  | 27   | 101      | 100      | 80   | 65   | 19   | 20.0       |



| Hardware Model | A   | B   | C  | D   | E   | G   | H     | I  | L       | M DIA | P   | N   | Weight Kgs |
|----------------|-----|-----|----|-----|-----|-----|-------|----|---------|-------|-----|-----|------------|
| USK- 100       | 175 | 151 | 43 | 132 | 75  | 51  | 80    | 14 | M8x1.25 | 11    | 70  | 55  | 3.0        |
| USK- 200       | 175 | 151 | 43 | 132 | 75  | 51  | 80    | 14 | M8x1.25 | 11    | 70  | 55  | 3.0        |
| USK- 500       | 175 | 151 | 43 | 132 | 75  | 51  | 80    | 14 | M8x1.25 | 11    | 70  | 55  | 3.0        |
| USK- 1000      | 204 | 180 | 44 | 160 | 100 | 76  | 106.5 | 19 | M10x1.5 | 12    | 100 | 75  | 5.8        |
| USK- 2000      | 204 | 180 | 44 | 160 | 100 | 76  | 106.5 | 19 | M10x1.5 | 12    | 100 | 75  | 5.8        |
| USK- 5000      | 280 | 245 | 67 | 213 | 150 | 115 | 153.5 | 30 | M16x1.5 | 16    | 150 | 115 | 20.0       |
| USK-10000      | 310 | 270 | 75 | 235 | 170 | 130 | 176.5 | 40 | M20x1.5 | 22    | 160 | 126 | 32.0       |
| USK-20000      | 340 | 300 | 83 | 257 | 180 | 140 | 202.5 | 50 | M24x2   | 25    | 190 | 146 | 48.0       |



**Industrial Weighing Systems**  
 Ph: 613-786-0016 Cell/Local: 613-921-0397 Fax: 613-476-5293  
 E-mail [info@iwsystems.ca](mailto:info@iwsystems.ca) Website: [www.iwsystems.ca](http://www.iwsystems.ca)