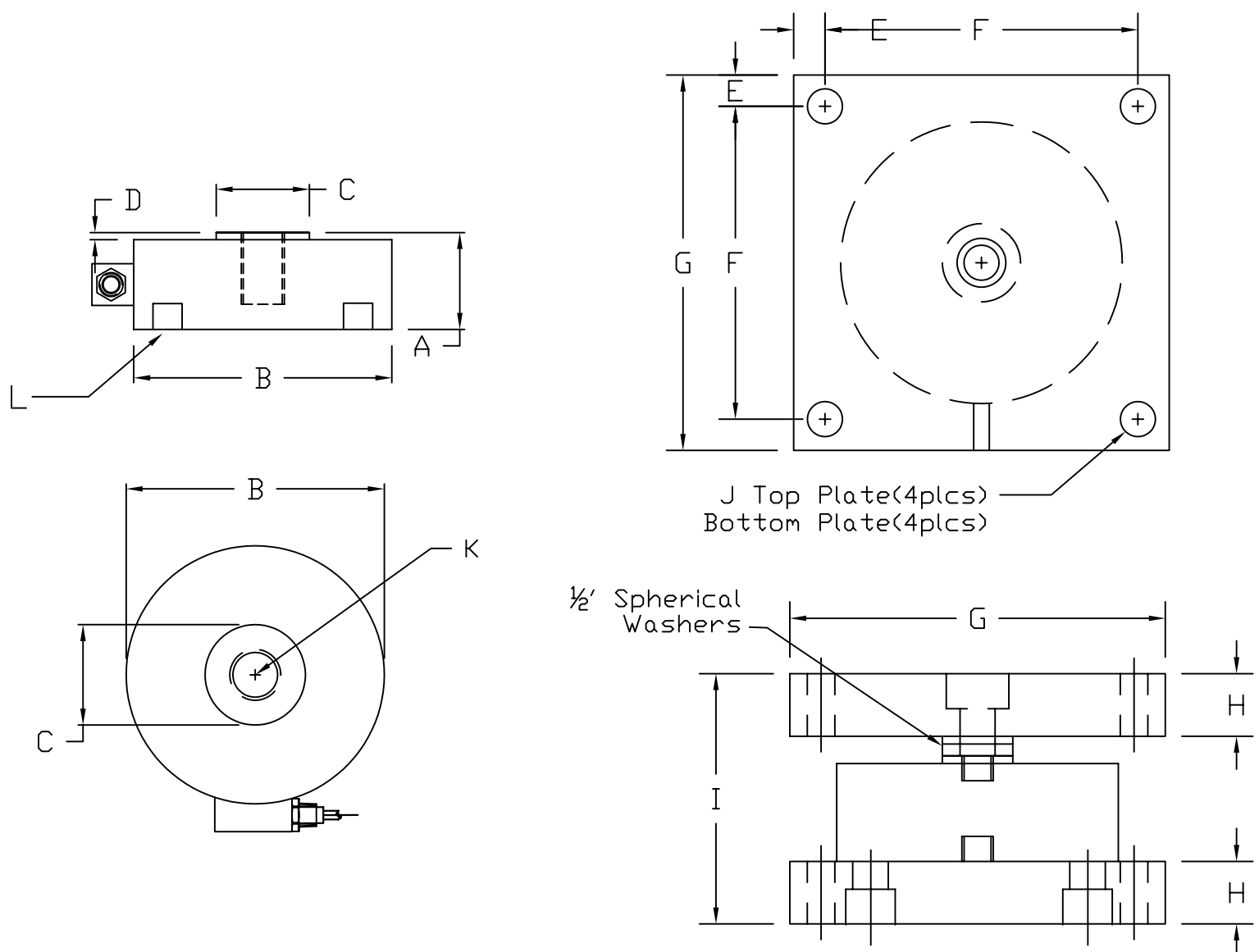


REVISIONS							
ZONE	LTR.	DESCRIPTION	DATE	ECN	BY	CKD	APVD
-	-	INITIAL RELEASE	02/08/07	-	-	-	-
-	A	REVISED TO SHOW LOAD CELL	09/04/07	065	MP	AA	WH
-	B	EDITED DRAWING VIEWS AND TABLE	01/10/08	091	MP	AA	WH



PERFORMANCE SPECIFICATIONS:

1. CAPACITIES: 10K, 15K, 20K, 25K, 30K, & 50K LB
2. SAFE OVERLOAD: 150% FS
3. FULL SCALE OUTPUT: 2.00 mV/V
4. EXCITATION VOLTAGE: 10-15V AC/DC
5. LOAD CELL RESISTANCE: 1000 OHMS
6. LOAD CELL CABLE: 4 CONDUCTOR, 50 FT
7. OPERATING TEMPERATURE RANGE: -20°C - +60°C
8. MATERIAL:
LOAD CELL: STAINLESS STEEL
ASSEMBLY: STAINLESS STEEL

RATED CAPACITY	DIMENSIONS											
	A	B	C	D	E	F	G	H	I	J	K	
LOAD CELL ONLY												
10K-25K	-	-	-	-	0.50	5.00	6.00	1.00	4.00	0.56	-	
30K-50K	-	-	-	-	0.75	6.50	8.00	1.25	5.00	0.69	-	
LOAD CELL ONLY					L							
10K-25K	2.18	4.50	1.62	0.50	3/8-24UNF x 1.00 deep						-	3/4-16UNF x 1.00 deep
30K-50K	2.51	4.50	1.62	0.50	3/8-24UNF x 1.00 deep						-	3/4-16UNF x 1.00 deep

<p>THIS DRAWING USES THIRD ANGLE PROJECTION</p>	<p>TOLERANCES UNLESS OTHERWISE SPECIFIED .XX-±.01 .XXX-±.005 FRACTIONS-±1/16" ANGLES: ±1/2"</p>	APPROVALS		DATE
		DRAWN: MP		02/08/07
		CHECKED: AA		01/10/08
		ENGINEER: WH		01/10/08
APPROVED: WH			01/10/08	
MATERIAL		SEE NOTES		

DO NOT ALTER WITHOUT AGENCY NOTIFICATION

CI-412M TANK MOUNT

SCALE	SIZE	PART/DRAWING NO.	REV.
NONE	B	DOD-CI-412M	B
MODEL CI-412M		SHEET 1 OF 1	

THIS DOCUMENT CONTAINS PROPRIETARY INFORMATION AND SUCH INFORMATION MAY NOT BE REPRODUCED OR DISCLOSED FOR ANY PURPOSE OR USED TO PRODUCE THE ARTICLE OR SUBJECT WITHOUT WRITTEN PERMISSION FROM COTI, INC.