

MS200 & MS202

Portable & Permanent Monorail Scales



APPROVALS



Measurement
Canada
Approved



SPECIFICATIONS

MS200/MS202 CONSTRUCTION:

Zinc-plated steel construction, stainless steel hardware

LOAD CELL CONSTRUCTION:

Stainless steel construction

EXCITATION:

10VD

BRIDGE RESISTANCE:

350 ohms nominal

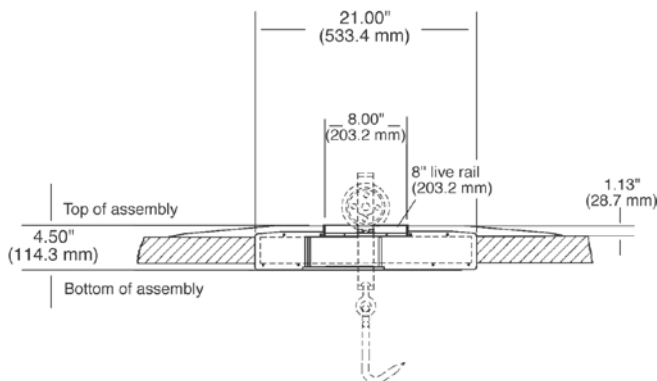
RATED OUTPUT:

2 mV/V

NONLINEARITY:

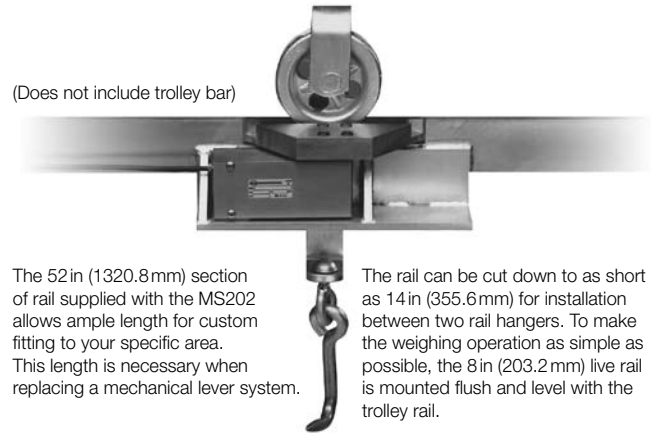
0.03% full scale

MS200/MS202 DIMENSIONS



MS202 PERMANENT MONORAIL SCALE

(Does not include trolley bar)



The 52in (1320.8mm) section of rail supplied with the MS202 allows ample length for custom fitting to your specific area. This length is necessary when replacing a mechanical lever system.

The rail can be cut down to as short as 14in (355.6mm) for installation between two rail hangers. To make the weighing operation as simple as possible, the 8in (203.2mm) live rail is mounted flush and level with the trolley rail.

Mechanical/
Monorail