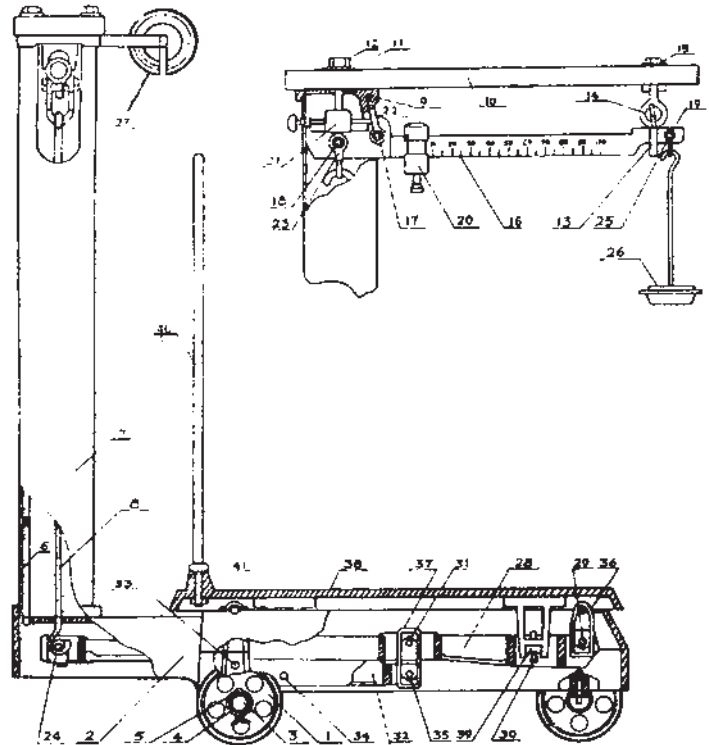


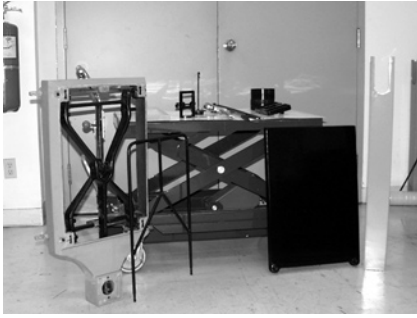
K I L O T E C H



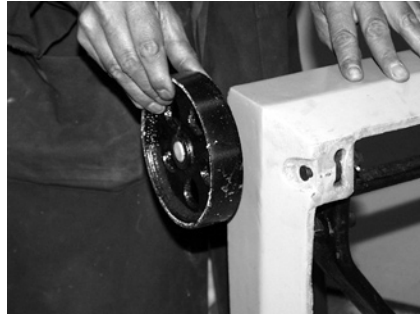
PARTS LIST - MODELS SP902, SP903 & SP904

Ref.#	Name of Part	Qty.	Ref.#	Name of Part	Qty.
1	Wheels	4	21	Balance Ball	1
2	Outside Frame	1	22	Fulcrum Pivot Loop	1
3	Axles	2	23	Load Pivot Loop	1
4	Washers	4	24	Nose Iron Pivot	1
5	Cotter Pins	4	25	Tip Pivot Loop	1
6	Tie Rod	2	26	Counterpoise	1
7	Metal Pillar	1	27	Counterweights (kg & lb.)	2 sets
8	Steelyard Rod	1	28	Long Lever	1
9	Pillar Cap	1	29	Fulcrum Pivot	2
10	All Metal Cap	1	30	Load Pivot	2
11	Washers	2	31	Lever Center Pivot	1
12	Hex Head Nuts	2	32	Short Lever	1
13	Beam Rack & Switch	1	33	Fulcrum Pivot	2
14	Switch	1	34	Load Pivot	2
15	Rack Screws	1	35	Tip Pivot	1
16	Beam	1	36	Corner Links	4
17	Fulcrum Pivot	1	36A	Corner Pin	4
18	Load Pivot	1	37	Center Link assembly	1
19	Tip Pivot	1	38	Platform	1
20	Poise	1	39	Steels	4
20A	Poise Knob	1	40	Platform Fence	1
20B	Poise Screw	4	41	Hex Head Nuts	1

DIRECTIONS FOR ASSEMBLY



- 1) Unpack and carefully remove all parts from the case. Each case consists of 41 main parts plus hardware. Clean all parts before assembling.



- 2) Fit wheels onto the axles followed by washers and cotter pins.



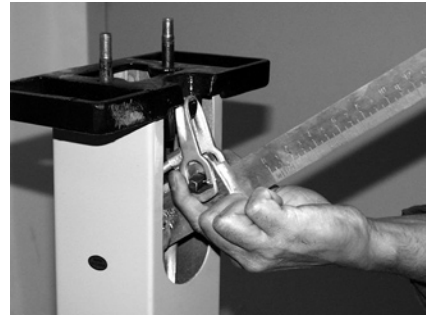
- 3) Screw the lower ends of the tie rods (#6) into the two holes on the outside frame (#2).



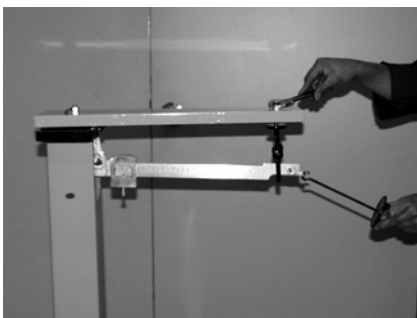
- 4) Install metal pillar (#7).



- 5A) Hook the bottom of the steelyard rod (#8) onto the nose iron pivot (#24).
- 5B) The top hook should hold the beam in place at the load pivot loop (#23).



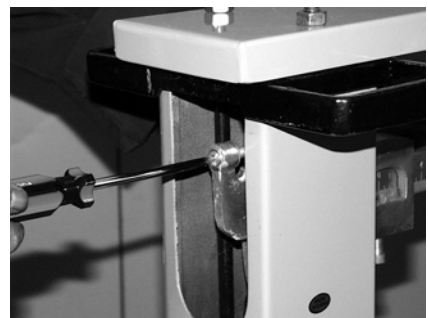
- 6) Place the pillar cap (#9) on top of the metal pillar (#7) and hook the top hook on pillar loop (#22) of the beam in position.



- 7A) Place the all metal cap (#10) on top so that the washers and the head nuts can securely hold the assembly in place.
- 7B) Secure the beam rack (#13) in place with the switch (#14) facing forward.
- 7C) Hang the counterpoise (#26) from the tip pivot loop (#25).



- 8A) Slide platform (#38) into position on the outside frame (#2). The platform should be able to float freely in its proper position.
- 8B) Install platform fence (#40) on platform (#38).



- 9) With no load on the platform, carefully adjust the "O" position of the scale using the screw at the end of the balance ball (#21).
- 10) To verify accuracy, place a test weight on scale.

YOUR SCALE IS NOW READY FOR OPERATION