

# Lift Truck/Pallet Jack

## CLS-920i® Wired Version

Cargo Lift Scale



### APPROVALS



Measurement  
Canada  
Approved  
(Pending)

### SPECIFICATIONS

#### SCALE CAPACITY:

5,000lb, 8,000lb

#### SCALE POWER:

Supplied by indicator through coiled interface cable

#### SCALE MATERIAL/FINISH:

Painted Mild Steel

#### APPROVAL:

NTEP Certified per H-44 at 1,000 divisions, Class III, COC # 06-074 (5,000lb only)  
Measurement Canada - pending (5,000lb only)

#### 920i DISPLAY:

4.6in W x 3.4in H (116mm W x 86mm H), 320 x 240 pixel VGA Liquid Crystal Display (LCD) module with adjustable contrast

#### 920i POWER - DC:

Line voltages: 10-60VDC DC input  
Power consumption: 1.5A Max  
Fused at 5.0A

#### 920i OPERATING TEMPERATURE:

Legal: 14°F to 104°F  
(-10°C to +40°C)  
Industrial: 14°F to 122°F (-10°C to +50°C)

#### WIRELESS LAN OPTION:

Contains FCC ID: R68WIPORATG  
Range: Up to 328 ft indoors  
Operating Frequency: ISM 2.4 GHz

#### WARRANTY:

Two-year limited warranty

### STANDARD FEATURES

- Capacities: 5,000lb, 8,000lb
- Two 5,000lb stainless steel load cells
- Mechanical overload stops promote scale longevity and accuracy
- Reinforced cover plate protects load cells and junction box from debris
- Welded centering pin ensures proper alignment and prevents scale from lateral movement
- Two-channel iQUBE®
- Cal-Match™ algorithm automatically trims and calibrates scale
- Coiled interface cable from scale to indicator

#### 920i® Indicator

- Stainless steel enclosure
- Two-piece mounting assembly with vibration isolators
- 4.6in W x 3.4in H, back-lit LCD graphical display (320 x 240 pixels)
- User program with data collection and transaction storage including: pro number, pro open/closed, employee ID, last transaction, time and date, actual weight and number of skids
- Internal memory of 1MB for transaction records
- Diagnostics to indicate excessive drift, A/D failures, connection errors, excitation voltage shifts and more
- On/Off toggle switch for forklift battery conservation

## CLS-920i® Wired Version

Cargo Lift Scale

PART #	SIZE, CAPACITY	FORKLIFT COMPATIBILITY	WEIGHT	PRICE
CLS Forklift Scale, 920i Wired Version				
111035.....	28 in, 5,000 lb.....	Class II, 16 in cleat style carriage.....	524 lb.....	Consult factory
96341.....	34 in, 5,000 lb.....	Class II, 16 in cleat style carriage.....	539 lb.....	Consult factory
111040*.....	38 in, 8,000 lb.....	Class III, 20 in cleat style carriage.....	1144 lb.....	Consult factory

\*Non-NTEP

### OPTIONS/ACCESSORIES

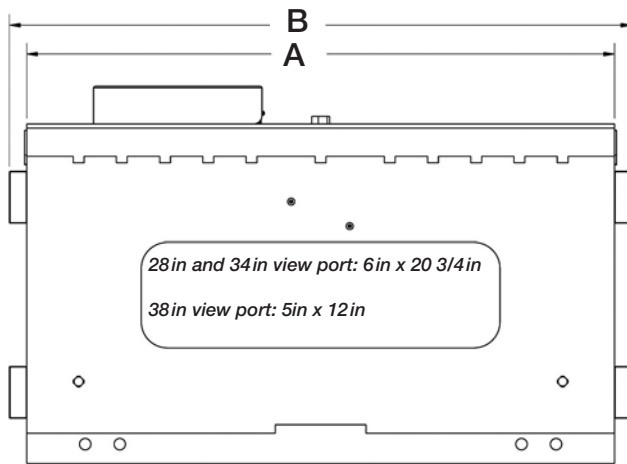
96355.....	Wireless LAN card.....	Consult factory
72704.....	USB to serial converter (used to configure wireless LAN card if PC does not have serial port).....	Consult factory
97480.....	Optional bar code scanner kit for 920i (Symbol model MS-3204 omnidirectional and mounting hardware).....	Consult factory
99445.....	Indicator corner protection kit (includes corner pads with adhesive strips).....	Consult factory

### Manuals

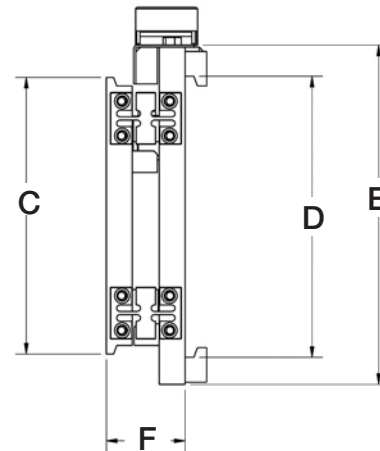
96312.....	CLS-920i installation manual.....	Consult factory
96313.....	CLS-920i operator card.....	Consult factory

### CLS SCALE DIMENSIONS

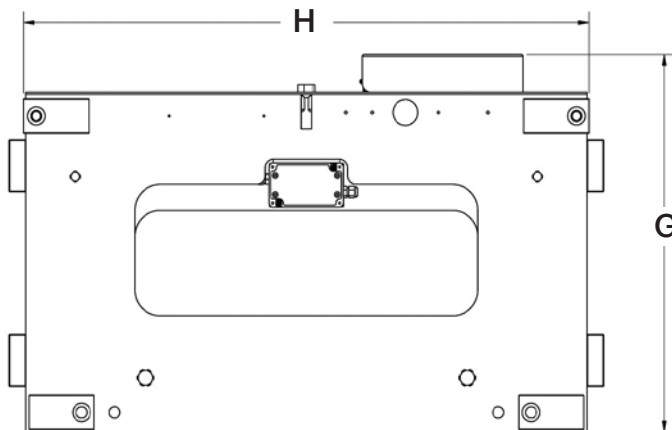
Front view



Side view



Rear view



Scale Size	A	B	C	D	E	F	G	H
<b>28 in, 5000 lb</b>	28	30	16	16.30	19.62	4.56	21.80	28.24
<b>34 in, 5000 lb</b>	34	36	16	16.30	19.62	4.56	21.80	34.24
<b>38 in, 8000 lb</b>	38	40	16	20.15	24.63	6.04	27.55	38

# Lift Truck/Pallet Jack

## CLS-920i® Wireless Version

Cargo Lift Scale



### APPROVALS



Measurement  
Canada  
Approved  
(Pending)



### STANDARD FEATURES

- Capacities: 5,000lb, 8,000lb
- Two 5,000lb stainless steel load cells
- Mechanical overload stops promote scale longevity and accuracy
- Reinforced cover plate protects load cells and junction box from debris
- Welded centering pin ensures proper alignment and prevents scale from lateral movement
- Two-channel iQUBE®
- Cal-Match™ algorithm automatically trims and calibrates scale
- ZigBee™ connection from scale to indicator
- Two lithium-ion smart batteries included  
Note: scale operates using one battery for 24 continuous hours and requires only eight hours to fully charge
- External battery charger

### 920i® Indicator

- Stainless steel enclosure
- Two-piece mounting assembly with vibration isolators
- 4.6in W x 3.4in H, back-lit LCD graphical display (320 x 240 pixels)
- User program with data collection and transaction storage including: pro number, pro open/closed, employee ID, last transaction, time and date, actual weight and number of skids
- Internal memory of 1MB for transaction records
- Diagnostics to indicate excessive drift, A/D failures, connection errors, excitation voltage shifts and more
- On/Off toggle switch for forklift battery conservation

ZigBee™ is a trademark of the ZigBee Alliance

### SPECIFICATIONS

#### SCALE CAPACITY:

5,000lb, 8,000lb

#### SCALE POWER:

Supplied by indicator through coiled interface cable

#### SCALE MATERIAL/FINISH:

Painted Mild Steel

#### APPROVAL:

NTEP Certified per H-44 at 1,000 divisions, Class III, COC # 06-074 (5,000lb only)  
Measurement Canada (pending)

#### 920i DISPLAY:

4.6in W x 3.4in H (116mm W x 86mm H), 320 x 240 pixel VGA Liquid Crystal Display (LCD) module with adjustable contrast

#### 920i POWER - DC:

Line voltages: 10-60VDC DC input  
Power consumption: 1.5A Max  
Fused at 5.0A

#### 920i OPERATING TEMPERATURE:

Legal: 14°F to 104°F  
(-10°C to +40°C)  
Industrial: 14°F to 122°F (-10°C to +50°C)

#### WIRELESS LAN OPTION:

Contains FCC ID: R68WIPORATG  
Range: Up to 328 ft indoors  
Operating Frequency: ISM 2.4 GHz

#### WARRANTY:

Two-year limited warranty

## CLS-920i® Wireless Version

Cargo Lift Scale

PART #	SIZE, CAPACITY	FORKLIFT COMPATIBILITY	WEIGHT	PRICE
<b>CLS Forklift Scale, 920i Wireless Version</b>				
111036.....	28 in, 5,000 lb.....	Class II, 16 in cleat style carriage.....	.524 lb .....	Consult factory
96342.....	34 in, 5,000 lb.....	Class II, 16 in cleat style carriage.....	.539 lb .....	Consult factory
111041* .....	38 in, 8,000 lb.....	Class III, 20 in cleat style carriage.....	1144lb .....	Consult factory

\*Non-NTEP

### OPTIONS/ACCESSORIES

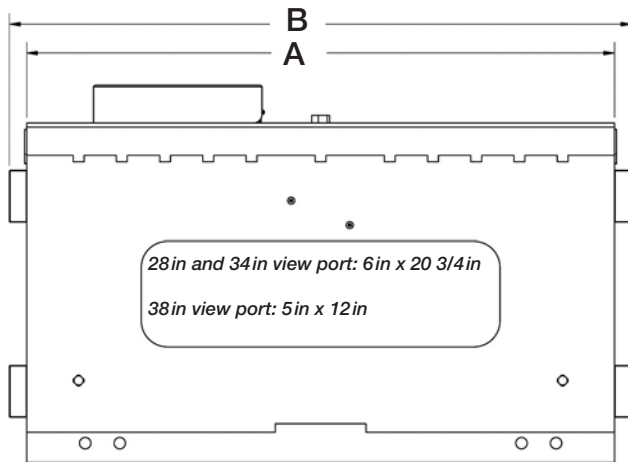
96355.....	Wireless LAN card .....	Consult factory
72704.....	USB to serial converter (used to configure wireless LAN card if PC does not have serial port) .....	Consult factory
97480.....	Optional bar code scanner kit for 920i (Symbol model MS-3204 omnidirectional and mounting hardware) .....	Consult factory
99445.....	Indicator corner protection kit (includes corner pads with adhesive strips) .....	Consult factory

### Manuals

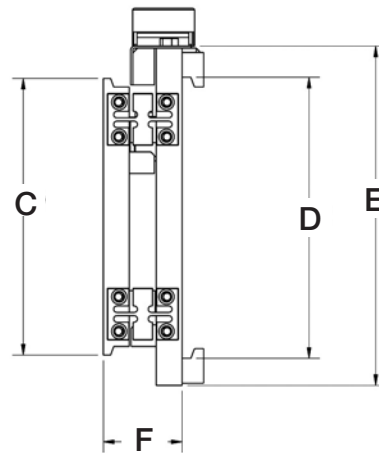
96312.....	CLS-920i installation manual.....	Consult factory
96313.....	CLS-920i operator card .....	Consult factory

### CLS SCALE DIMENSIONS

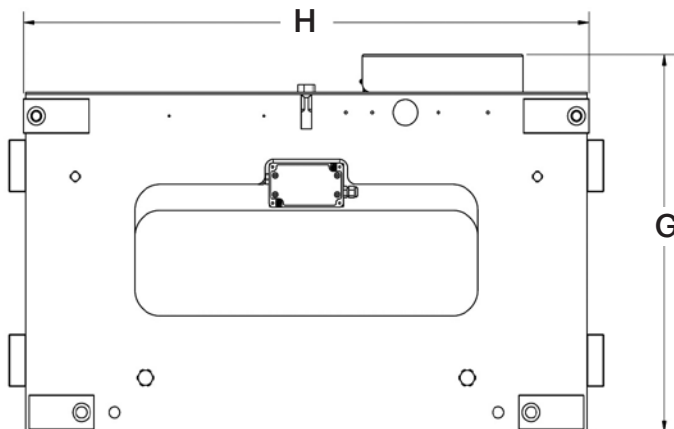
Front view



Side view



Rear view



Scale Size	A	B	C	D	E	F	G	H
<b>28 in, 5000 lb</b>	28	30	16	16.30	19.62	4.56	21.80	28.24
<b>34 in, 5000 lb</b>	34	36	16	16.30	19.62	4.56	21.80	34.24
<b>38 in, 8000 lb</b>	38	40	16	20.15	24.63	6.04	27.55	38