

# RON 2501 - WIRELESS CRANE SCALE

- FM WIRELESS TRANSMISSION
- 5 TO 1 SAFETY FACTOR
- .1% ACCURACY
- RANGE NOT LESS THAN 100 YARDS

The RON 2501 is a wireless crane scale that uses F.M. radio transmission from the load cell to the hand held receivers. The radio transmission has error detection for high reliability telemetry, and a range of no less than 100 yards. The RON 2501 offers RS232 and 2 adjustable set points as options. Units are available in the following measurement readings: metric tons, short tons, k.newtons, lbs, kg. Others available on request. Units must be specified at the time of the order. However, user selectable units may be purchased as an option.



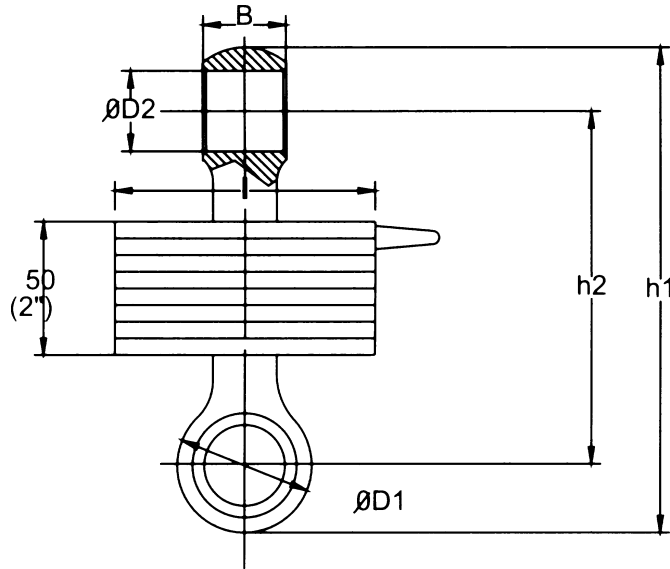
Case shown is optional, shackles not included.

## SPECIFICATIONS

- **LOAD RANGES:** .25 to 300 tons
- **ACCURACY:**  $\pm 0.1\%$  F.S. + 1 Resolution Step
- **MATERIAL:** Extruded Aluminum  
Housing-Load Cell  
Extruded Aluminum  
Housing-Display
- **TEMPERATURE:** -15° to 175° F
- **POWER:** 3 x AA - Batteries Handheld  
4 x AA - Load Cell, Batteries rated 3AH, will function for at least 2000 hours
- **PEAK HOLD:** Standard
- **HI/LO LIMITS:** 1 or 2 Selectable - Optional
- **RS232:** Optional
- **DISPLAY:** 5 Digit LCD
- **SAFETY FACTOR:** 5 to 1 SafetyFactor
- **RESOLUTION:** .2 lb to 200 lb relative to capacity of unit
- **WEIGHT:** .25 lb to 227 lb relative to capacity of unit
- **OPTIONS:**
  - Additional Indicator
  - Carry Case
  - Real Time Clock
  - Rechargeable Batteries
  - Totalizer
  - User Selectable Units
  - Heat Shield for the Load Cell
  - Internal Load Cell
  - Thermometer Temp Display on Handheld

CAPACITY	RESOLUTION	WEIGHT
.25 ton	2.5 lb	2 lb
.50 ton	0.5 lb	2.5 lb
1 ton	1 lb	2.5 lb
2 tons	2 lb	2.5 lb
3 tons	2 lb	2.5 lb
5 tons	5 lb	2.7 lb
10 tons	10 lb	4.5 lb
12.5 tons	10 lb	4.5 lb
15 tons	10 lb	7 lb
20 tons	20 lb	7.3 lb
25 tons	20 lb	9 lb
30 tons	20 lb	9 lb
40 tons	50 lb	18 lb
50 tons	50 lb	18 lb
80 tons	100 lb	38 lb
125 tons	100 lb	60 lb
200 tons	200 lb	121 lb
250 tons	200 lb	227 lb
300 tons	200 lb	227 lb

# RON 2501 - CRANE SCALE



## TENSION RANGES

Full Range	Standard Resolution		High Resolution		Load Cell Wt.		H <sub>1</sub> (max)		H <sub>2</sub> (max)		B (max)		I (max)		D <sub>1</sub> (max)		D <sub>2</sub> (max)		Matching Anchor Shackle Size in
	Tons	kgs	lbs	kgs	lbs	kgs	lbs	mm	ft	mm	in	mm	in	mm	in	mm	in	mm	
0.25	0.1	0.2	0.05	0.1	1.1	2.5	125	4.9	92	3.7	16	0.7	110	4.4	29	1.2	17	0.66	1/2, 7/16, 3/8
0.5	0.2	0.5	0.1	0.2	1.1	2.5	125	4.9	92	3.7	16	0.7	110	4.4	31	1.3	17	0.66	1/2, 7/16, 3/8
1	0.5	1	0.2	0.5	1.1	2.5	125	4.9	92	3.7	16	0.7	110	4.4	31	1.3	17	0.66	1/2, 7/16, 3/8
2	1	2	0.5	1	1.1	2.5	125	4.9	92	3.7	16	0.7	110	4.4	31	1.3	17	0.66	1/2, 7/16, 3/8
3	1	2	0.5	1	1.1	2.5	140	5.5	100	4	19	0.75	110	4.4	38	1.5	21	0.82	5/8, 1/2
5	2	5	1	2	1.2	2.7	150	5.9	105	4.2	26	1	115	4.7	45	1.75	23	0.9	3/4, 5/8
10	5	10	2	5	2	4.5	200	7.9	135	5.3	41	1.6	120	4.8	63	2.5	36	1.4	1 1/4, 1 1/8, 1
12.5	5	10	2	5	2	4.5	200	7.9	135	5.3	41	1.6	120	4.8	63	2.5	36	1.4	1 1/4, 1 1/8, 1
15	5	10	2	5	3	7	215	8.5	135	5.3	45	1.8	125	5	73	2.9	36	1.4	1 1/4, 1 1/8
20	10	20	5	10	3.3	7.3	215	8.5	135	5.3	53	2.1	125	5	75	3	40	1.55	1 3/8
25	10	20	5	10	4	9	240	9.4	150	5.9	58	2.3	130	5.2	87	3.4	44	1.7	1 1/2
30	10	20	5	10	4	9	240	9.4	150	5.9	58	2.3	130	5.2	87	3.4	44	1.7	1 1/2
40	20	50	10	20	8	18	310	12.2	188	7.4	71	2.8	140	5.6	115	4.5	60	2.3	2, 1 3/4
50	20	50	10	20	8	18	310	12.2	188	7.4	71	2.8	140	5.6	115	4.5	60	2.3	2, 1 3/4
80	50	100	20	40	17	38	405	16.9	255	10	97	3.8	155	6.2	145	5.7	76	3	2 1/2
125	50	100	20	40	27	60	450	17.7	275	10.8	121	4.8	165	6.6	165	6.5	81	3.18	CROSBY No. 2160 125t.
200	100	200	50	100	55	121	575	22.6	350	13.8	145	5.7	200	8	210	8.3	106	4.2	CROSBY No. 2160 200t.
250	100	200	50	100	103	227	795	31.3	500	19.7	178	7.0	245	9.7	254	10	133	5.2	CROSBY No. 2140 250t. or No. 2160 300t.
300	100	200	50	100	103	227	795	31.3	500	19.7	178	7.0	245	9.7	254	10	133	5.2	CROSBY No. 2160 300t.